

To be a Digital-Professional!

Digital driving and switching of dual-coil drives with EasyControl and 2-rails conductor

The main focus of this chapter shall cover the simple installation and use of the first Turnout Decoder “S-DEC-4-DC” for dual-coil drives and switching of turnouts or semaphore signals.

The first step by the construction of a digital controlled model railway layout is the installation of the digital driving. For the realization of the digital driving has the digital-central unit EasyControl to be connected to a power supply and to the DigitalBooster “DB2”.

The second step is the installation of the digital switching. The first decoder can now be connected to the supply voltage and to the digital output of the booster.

Many of the described cable colors are typical for digital model railway layouts. Naturally is it within your option to use cable colors to your requirement. Nevertheless you should assure right at the beginning: remain to the selected cable color system and make a careful documentation for possible future fault diagnosis, for extending the system or for modification of the system.

■ General Note

CONNECTING THE CENTRAL UNIT

The company Tams supplies a suitable plug-in power supply unit together with the central unit EasyControl. The central unit contains no integrated digital amplifier (=booster). Therefore is for the first operation an additional DigitalBooster “DB-2” required. This assures the amplification of the digital signals of the central unit.

For the power supply of the booster “DB-2” we recommend a transformer with 16 to 18 Volt alternated voltage. The DigitalBooster “DB-2” can supply a digital current of up to 2.5 Amperes for the various digital components (locomotives with decoder, turnout- and switch-decoder, etc.). Corresponding should the supply transformer be able to supply a minimum of 52 VA.

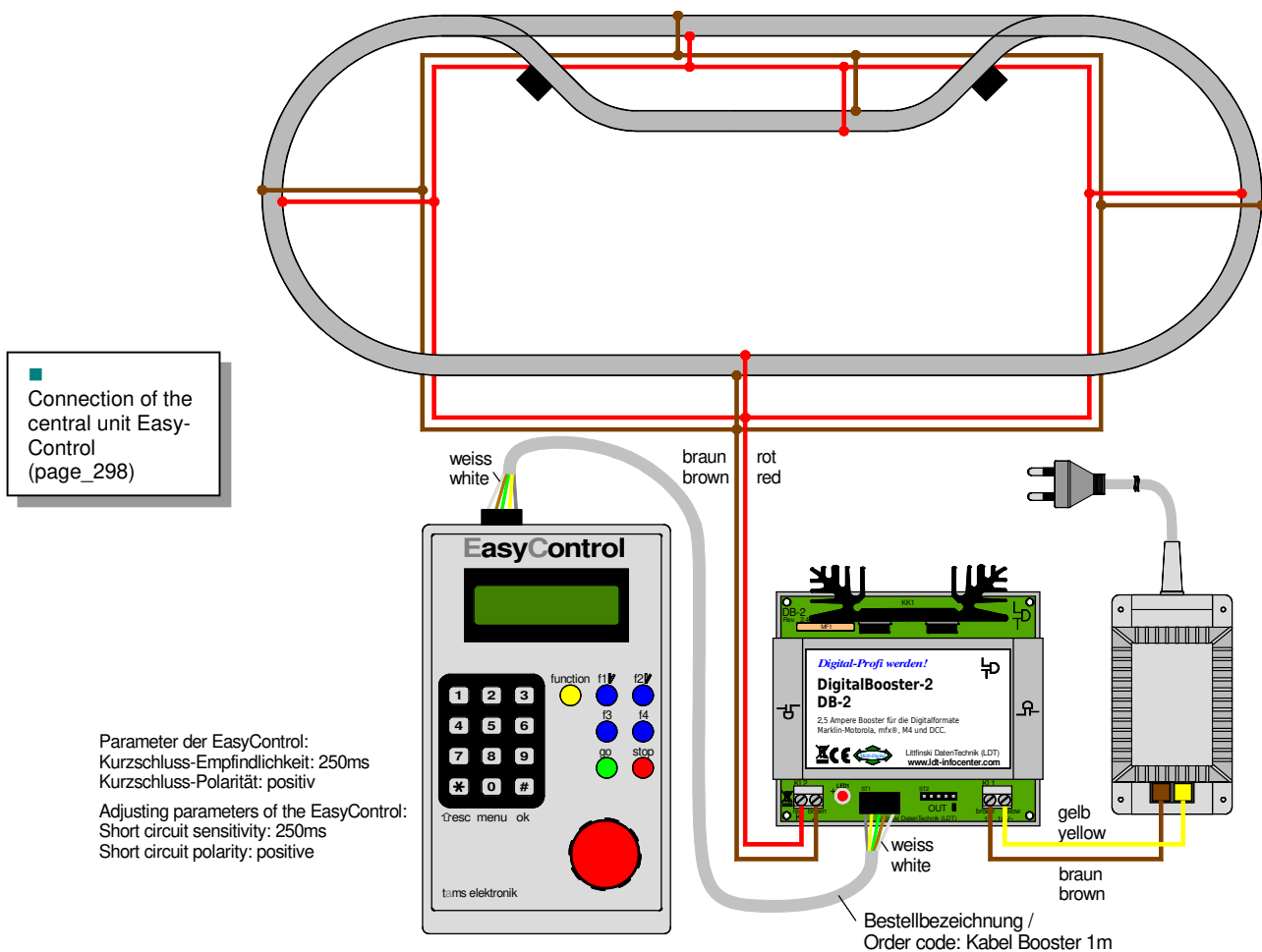
Each DigitalBooster “DB-2” will be supplied together with a booster bus cable. With this cable will be the central unit EasyControl additionally connected to the booster.

For the wires of the supply cables (**yellow / brown**) and as well for the rail connections (**red / brown**=digital current) the following wire sizes are recommended:

length of the cable	recommended cross section
up to 3 meter	0,75 mm ²
up to 6 meter	1,5 mm ²
up to 10 meter	2,5 mm ²
more as 10 meter	4,0 mm ²

For preventing power losses at the wires is it recommended to use a (first) mains ring conductor with connections to the rail system (**red / brown**) at distances of 1.5 to 2m. Each plugged rail connection will contain an electrical resistance. This resistance will be enlarged by corroded contacts etc. The resulting voltage-drop at the rail connections reduces the digital voltage and it can be possible that “remote” track sections will eventually not get the full digital voltage – disturbances or inexplicable abnormal behavior can be expected. A sufficient diameter of the supply-wires will contain a considerable lower resistance and assures therefore the full supply of the voltage to the rails.

The below picture shows the general connection of a central unit and the additional power supply connections at your model railway layout:

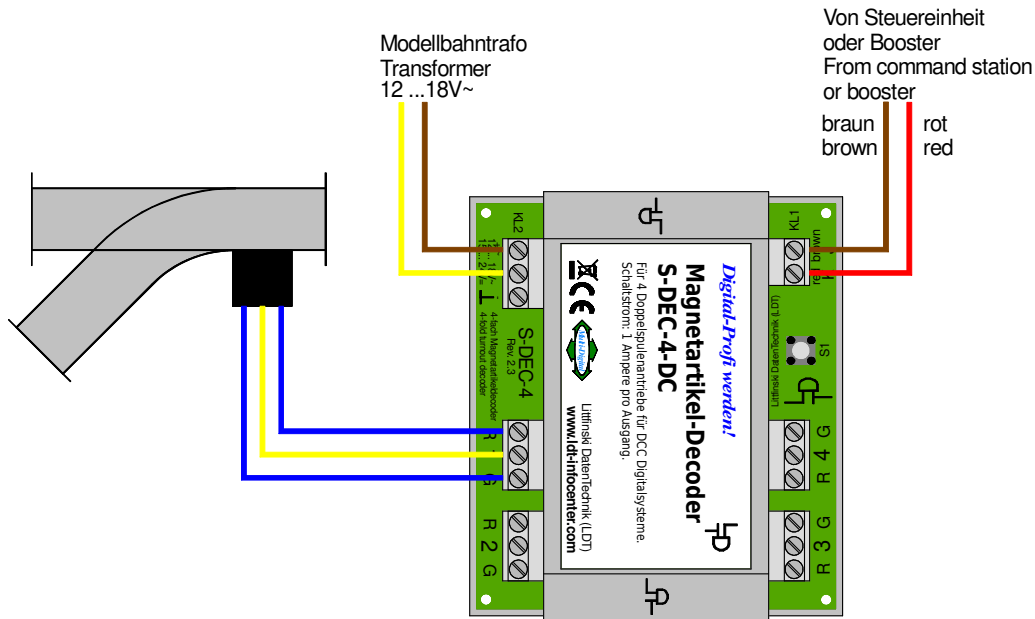


THE FIRST TURNOUT-DECODERS (S-DEC-4-DC)

Now to the second step on the way of digital switching at your digital model railway layout. Also the Turnout-Decoders require a connection to the power supply (12 – 18 V ~) and to the digital voltage. All digital commands as well as to the loc-decoders will be transmitted on this way.

For a 2-conductor direct current layout with a typical DCC-data format is it recommended to select the DCC-data format for the turnout decoders as well. It would be possible to control the system with the central unit EasyControl via the MOTOROLA-Format (using the turnout decoder “S-DEC-4-MM”). But this would result into an extended reaction time of the digital system because mixed data formats would be transmitted. Therefore prevent using various digital protocols and use instead the DCC-digital data format for the 2-conductor direct current supply and the Turnout Decoder “S-DEC-4-DC” only.

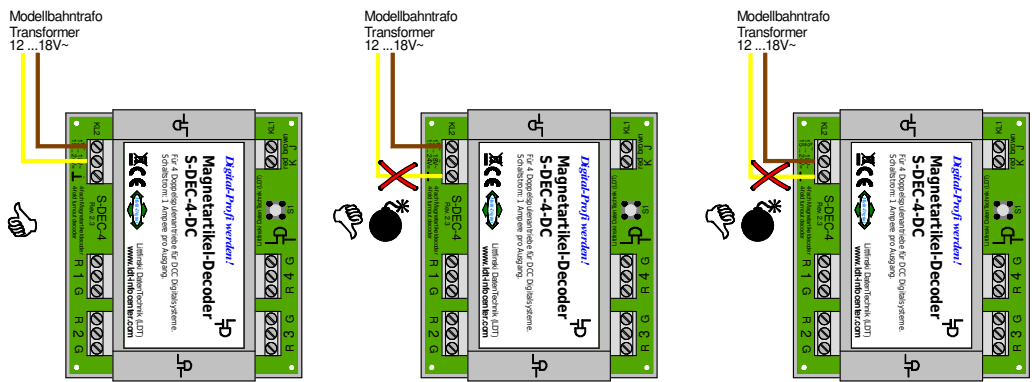
■ General Note



■ Connection of the Turnout-Decoder S-DEC-4-DC (page_329)

Power supply (yellow / brown cables at the above sample) will be required for the module itself and for the switching of the coil drives. The decoder module requires a spacing current flow of about 0.1 Ampere. Each output can cover a maximum switching current load of up to 1 Ampere.

By connecting the supply voltage of 12 – 18 Volt ~ please pay careful attention that you use the two inputs of the clamp KL2 which are marked with “~”. One of the two terminals of the supply voltage should never be connected to the ground output “1” of the 3 poles clamp KL2. In this case the decoder will be destroyed as shown within the following connection sample.



■ Correct connection of the external supply voltage (page_506)

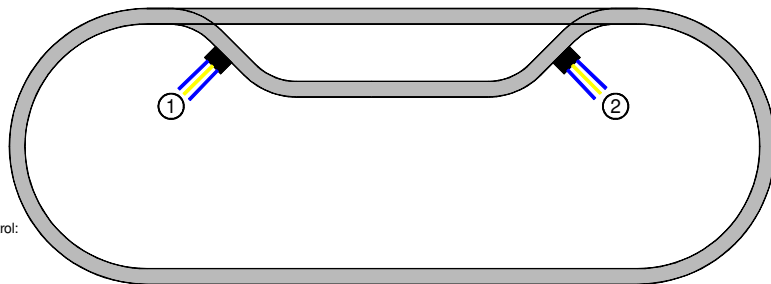
The turnouts or signals have to be connected with three cables (**blue / yellow / blue**), which can be of a preferable short length, by a considerable close distance of the decoder to the respective turnout or signal. The common conductor of the turnout- or signal-drive (**yellow**) shall be connected to the middle contact of the decoder module marked by a digit. The clamps marked with “G” and “R” are supposed for the coil drives and are indicating the turnout position to be switched (G for straight and R for round).

■ General Note

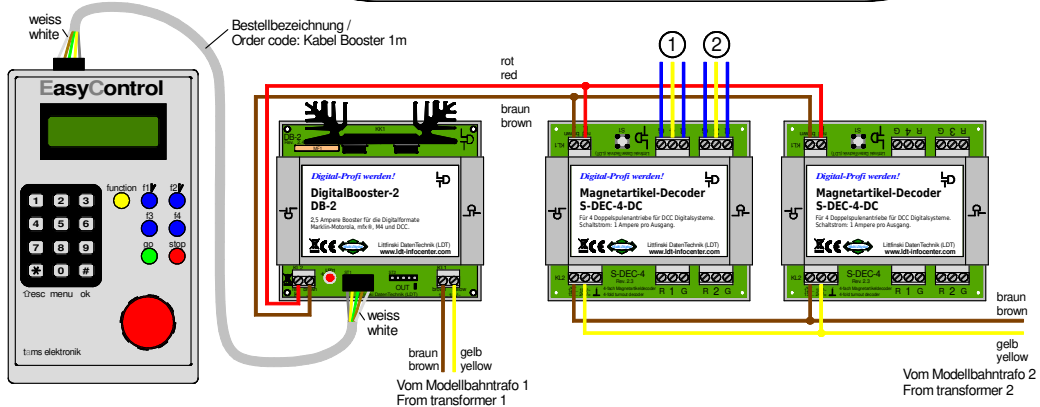
If it is required to extend the connection cables of a turnout drive it has to be taken care of a sufficient diameter of the connection wires. For a maximum current of 1 Ampere at the decoder output is the ordinary used wiring of 0.14 mm² not sufficient. We recommend to use wires of 0.5 mm² for a sufficient installation to extended turnouts or signals.

If the available digital current of 2.5 Ampere supplied by the Digital-Booster “DB-2” for driving and operating the layout will be insufficient is it required to use additional DigitalBoosters “DB-2”. This requires naturally additional wiring installation and further cost.

The next sample shows the connection of two of four possible turnouts and the connection of a further decoder module for an additional group of four turnouts.



Parameter der EasyControl:
 Kurzschluss-Empfindlichkeit: 250ms
 Kurzschluss-Polarität: positiv
 Adjusting parameters of the EasyControl:
 Short circuit sensitivity: 250ms
 Short circuit polarity: positive

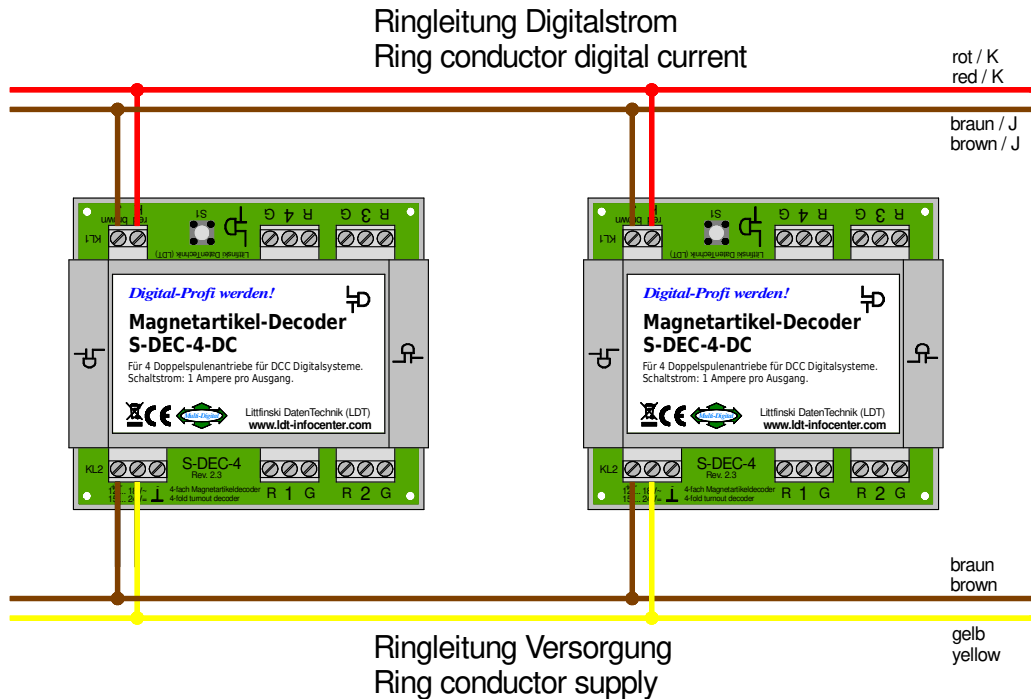


■ Connecting several Turnout Decoders S-DEC-4-DC (page_300)

It is recommended to install a separate second main ring conductor for the digital current to the turnout- and switch decoders (**red / brown**) and a third main ring conductor for the voltage supply (**yellow / brown**).

The digital information for the accessory decoders should never be taken directly from the rails. The driving locomotives can influence the digital signal by producing continually a kind of loose contact signal. This can result to the problem that the decoder cannot understand the signal. For this reason will be the loc commands continually repeated.

Especially for the switch commands which will not be transmitted several times as done by the loc commands is it possible that commands will be getting lost if the digital information have been taken directly from the rails.



2. and 3. Main Ring Conductor for accessory Decoders (page_003)

There are as well some recommendations for the wire cross-section dimension to be used for the two main ring conductor wires. As there will be a low current flow only, the wire dimension can be a little smaller.

length of the cable	recommended cross section
up to 10 m	0.75 mm ²
more as 10 m	1.0 – 1.5 mm ²

At least after completion of the wiring installation you should start the first test and the placing of suitable a digital address for the turnout (or signal).

THE FIRST PROGRAMMING

The assignment of digital addresses has to be carried out individually for each module. The address is valid for the respective complete group of four (e.g. 1 - 4, 5 - 8, 9 - 12 etc.). For setting the address (= read-in address) you have to connect a turnout to the output 1 at the module.

The turnout will start switching at a 1.5 second interval after activating the programming key at the decoder. The decoder module is now in a learning mode. Now is it required to select and activate a turnout (1 – 4, 5 – 8, etc.) at the central unit. The decoder module takes over the four addresses for the four outputs and confirms the setting by switching the connected turnout for a short period a little faster. Depressing again the programming key at the decoder will complete the setting of addresses. The addresses are now permanently stored at the decoder.

General Note

Our tip: Carry out the set-up of digital addresses before installing the decoder module below the layout because the handling of the module with all connections is much easier at a working bench. After address setting please mark the module with the assigned digital addresses (e.g. label marked with a pencil “5 – 8” for the second group of four addresses).

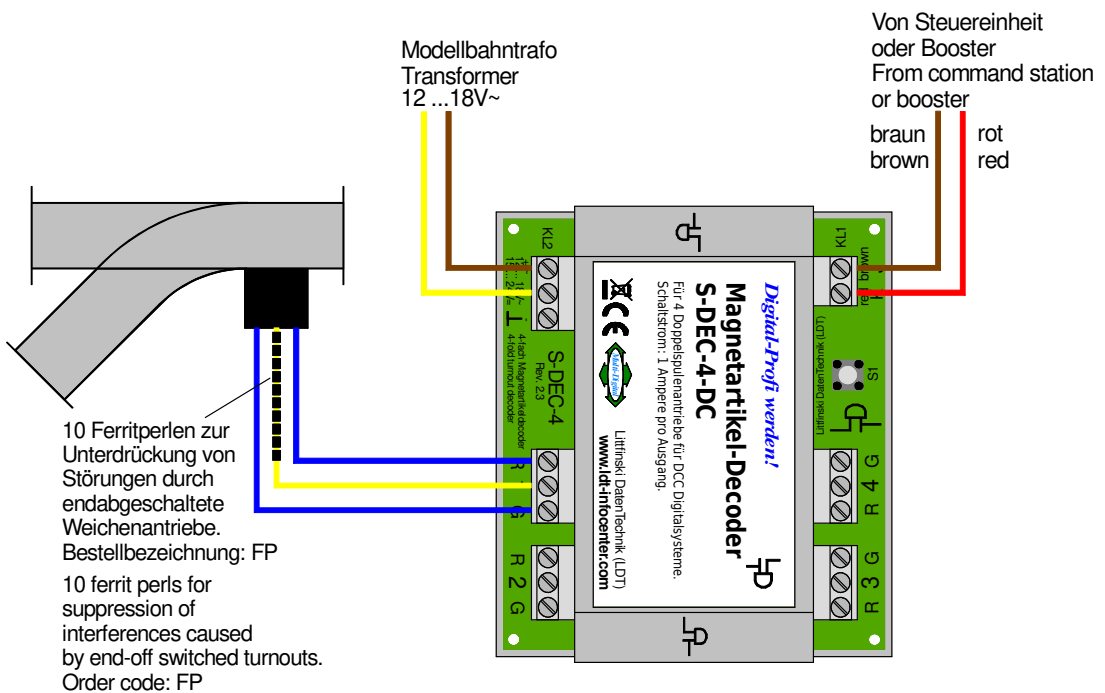
With this procedure the functional test has been already performed and a later malfunction after installation (e.g. defect module) can be prevented. Doing this after final installation of the unit this would be a difficult time consuming procedure.

SUPPRESSION OF INTERFERENCES

Technical Tip

End-off switched coil drives of turnouts can initiate interferences and therefore influencing the digital system e.g. with unreliable switching of turnouts. This problem can be solved by slipping 10 ferrite pearls onto the common connection wire (yellow) of the turnout drives. This has to be done very close to the coil housing.

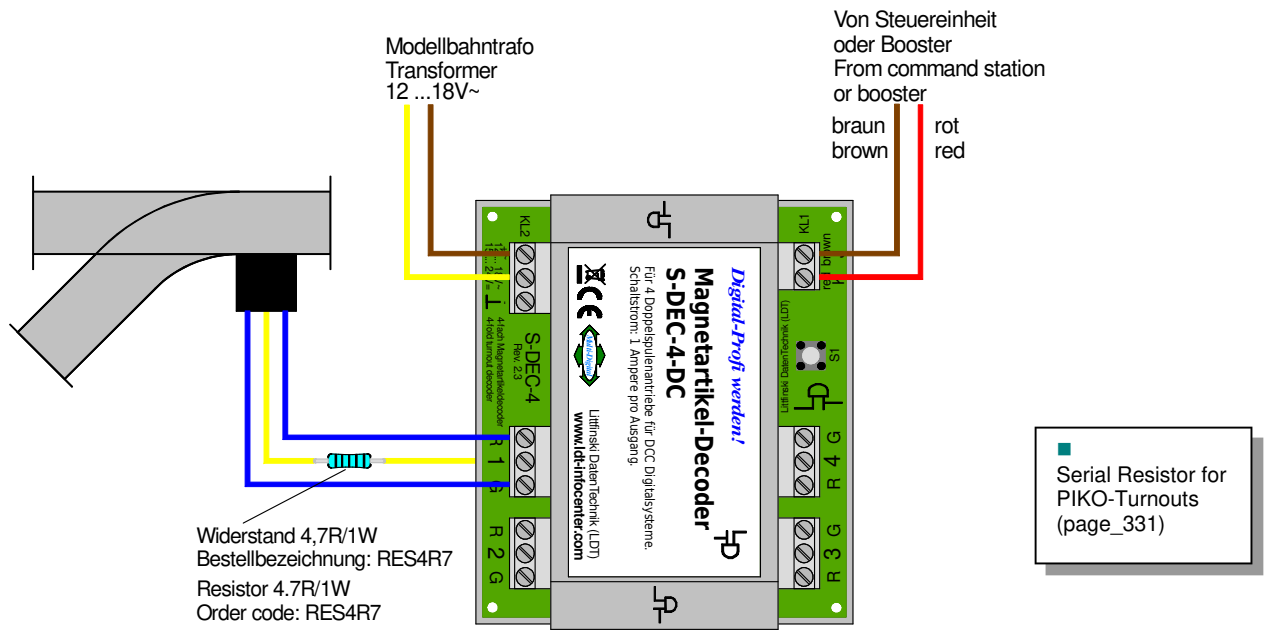
Ferrite Pearls for the suppression of interferences by Coil Drives (page_330)



The ferrite pearls are available by LDT under the order code “FP”. The connections and the operation of the turnouts as well as the programming the decoder will not be influenced.

SPECIAL CASE: PIKO A-RAIL DRIVES

The turnout drives of company PIKO (A-track) have to be operated with a reduced current to prevent the bouncing of the turnout latch and to assure that the current consumption will be below 1 Ampere. For the prevention is it recommended to implement at this drives at the common connection (**yellow**) a resistor with 4.7Ω (1 W). This resistor will reduce the current on both drive coils and will assure a safer operation.



The resistor is available as accessory by LDT under the order code “RES4R7”. There will be no change within the connections or the operation of the turnouts as well as on the programming of the decoder. For the suppression of interferences by those end-off switched turnouts is it recommended to apply the ferrite pearls as well on the common connection (**yellow**) of the turnouts ⇒ “Suppression of interferences” (Page 6).

FURTHER INFORMATION

Additional information about the operation of digital model railway components and further helpful connection samples are available within the operation instructions received with every purchased module and device and at our extensive Internet page. All mentioned sample connections can be loaded down as PDF files (e.g. page_298.pdf) and printed at an A4 format.

Internet: www.ldt-infocenter.com

Authors: Harry Kellner and Peter Littfinski

Subject to technical changes and errors.
 © 04/2022 by LDT