



Connection Cable (1m) for the Roco Boosterbus from the *Digital-Professional-Series!*

Kabel Roco 1m Part-No.: 000136

For the connection of the **Roco Command Station 10761 / 10764**, the **Fleischmann Command Station 680801**, **multiZENTRALEpro** and the **z21/Z21** with the **DigitalBooster DB-4** and for the connection of Boosters to each other (**Roco 10762 / 10756** and **DB-4**).

This product is not a toy! Not suitable for children under 14 years of age! The kit contains small parts, which should be kept away from children under 3 years of age! Improper use will imply danger of injuring due to sharp edges and tips! Please store this instruction carefully.



Introduction / Safety Information:

You have purchased the connection cable **Kabel Roco 1m** for your digital model railway. The connection cable is a high quality product which is supplied within the assortment of **Littfinski DatenTechnik (LDT)**.

We are wishing you having a good time using this product.

The connection cable comes with **24 month warranty**.

- Please read the following instructions carefully. Warranty will expire due to damages caused by disregarding the operating instructions. LDT will also not be liable for any consequential damage caused by improper use or installation.
- We designed our devices for indoor use only.
- **Attention: Please switch off your model railway by disconnecting the transformers from AC-current before starting any installation.**

Connecting the Kabel Roco 1m:

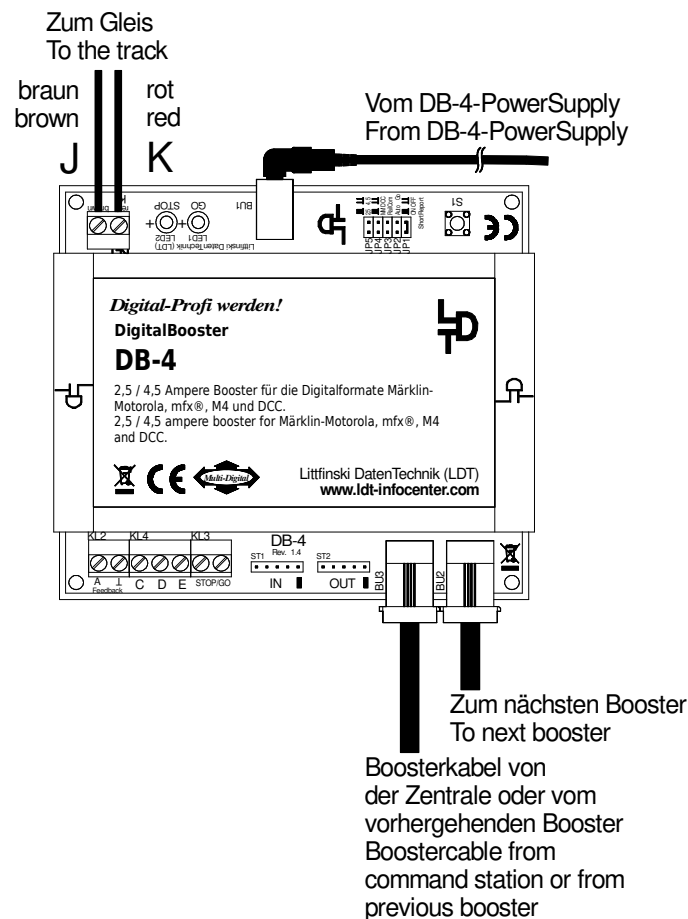
The connection cable **Kabel Roco 1m** is a **spiral cable** with an extended **length** of **maximal one meter**.

Each side of the cable has been equipped with one **4-poles modular plug (RJ11)**.

The **Kabel Roco 1m** is suitable for the connection of the **Roco Command Station 10761 / 10764**, the **Fleischmann Command Station 680801**, **multiZENTRALEpro** and the **z21/Z21** with the **DigitalBooster DB-4** and for the connection of Boosters to each other (**Roco 10762 / 10756** and **DB-4**).

If you require a connection from a **Roco-** or **Fleischmann-Command Station** to the **first Digitalbooster DB-4** please use at the **command station** the socket marked with **"Booster out"** and at the **DigitalBooster DB-4** the socket **BU3**.

The **second DigitalBooster DB-4** shall be connected to the socket **BU2** as shown within the following sketch.



Further **Sample Connections** can be found at the **rear side** of this **instruction**.

Further products from the *Digital-Professional-Series:*

S-DEC-4

4-fold turnout decoder for four magnet accessories with free programmable decoder addresses and possible external power supply.

SA-DEC-4

4-fold switch-decoder with four bistable relays and free programmable decoder addresses and possible external power supply.

LS-DEC-DB, -DR, -KS, -ÖBB, -SBB, -NS, -NMBS, -BR, -FS, -SJ, -SNCF, -CFL, -USA, -CSD, -8x2

4-fold light signal decoder. Light signals switched directly via decoder addresses.

RM-88-N / RM-88-N-O

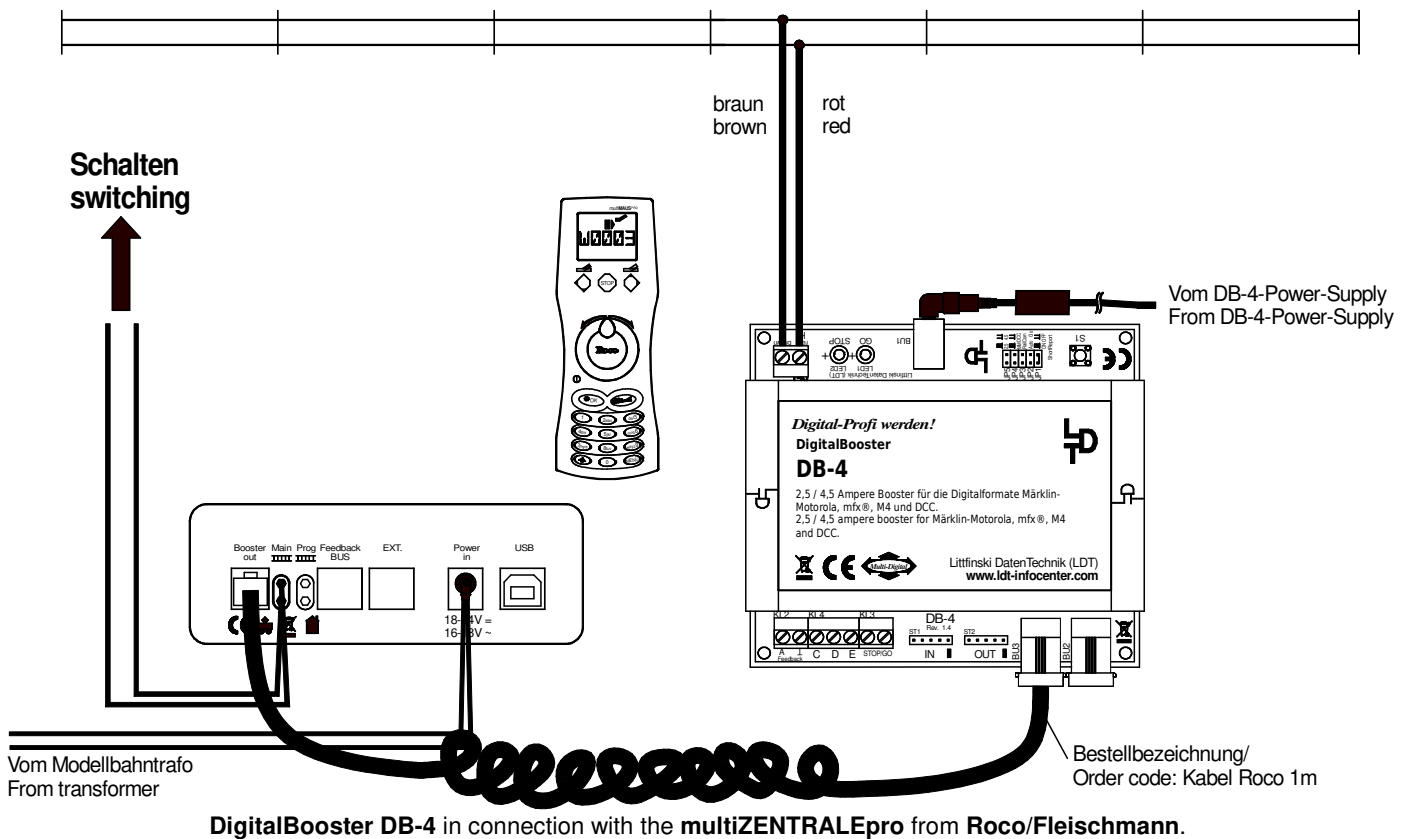
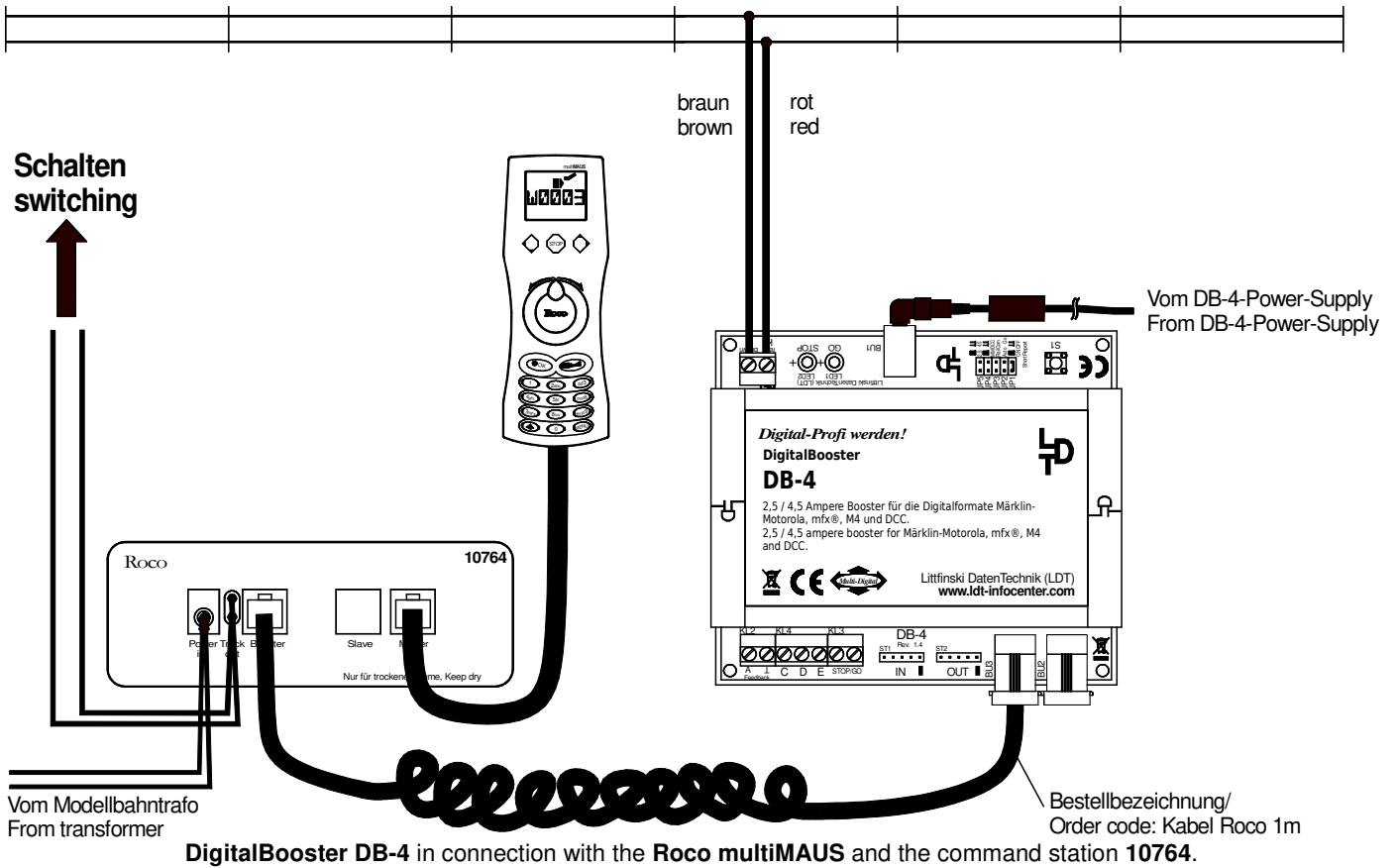
16-fold feedback modules for the s88-feedback bus. RM-88-N-O with integrated opto coupling.

RM-GB-8-N

8-fold feedback modules with integrated track occupancy detectors for the s88-feedback bus.

HSI-88-(USB)

High Speed Interface for the s88-feedback bus. Offers the possibility to create three feedback lines. The feedback reports will be transmitted directly via the command station via the COM-(HSI-88) or the USB-Interface (**HSI-88-USB**) to the PC.



Those and further colored **Sample Connections** can be found at the Internet on our Web-Site (www.ltd-infocenter.com) within the section "Sample Connections".

Made in Europe by
Littfinski DatenTechnik (LDT)
Bühler electronic GmbH
Ulmenstraße 43
15370 Fredersdorf / Germany
Phone: +49 (0) 33439 / 867-0
Internet: www.ltd-infocenter.com

Subject to technical changes and errors. © 09/2022 by LDT
Roco and Fleischmann are registered trademarks.